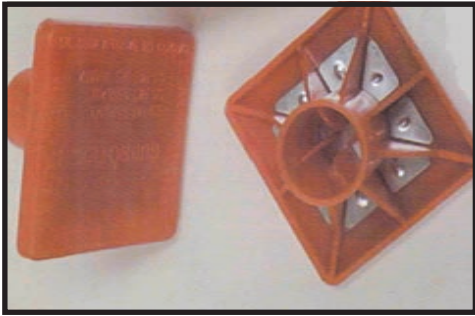


Concrete Accessories

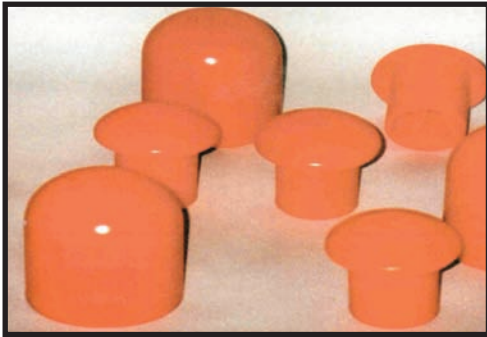
STEEL PLATED REBAR CAPS



Paragon's Steel Plated Rebar Caps has been tested according to the requirements of CAL-OSHA to protect construction workers from impalement injuries.

- Single piece unit
- Molded in "concave-shaped" steel plate
- Reusable
- Fits # 3 - # 18 bar sizes

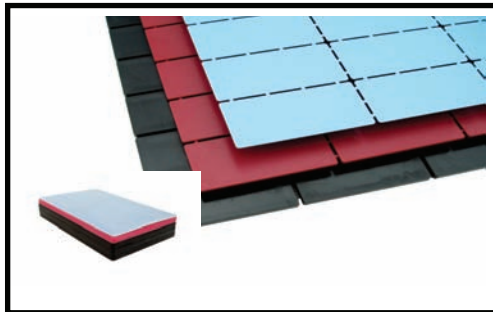
REBAR SAFETY CAPS



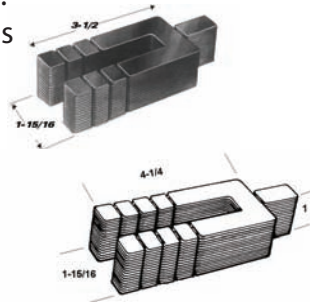
Paragon's Rebar Safety Caps provide protection from protruding rebar and are intended for at grade applications.

- Brilliant orange color for high visibility
- Standard cap recommended for # 3 - # 9 bar sizes
- Larger cap fits 2" diameter
- Not intended for impalement protection

SHIMS



Vers-A-Shims are ideal for many applications. Especially, as a concrete accessory. The shims can be snapped apart, folded, cut, stacked, or heat sealed. The shims are offered in the form of shim strips, ECON-O-PACKS, VERS-A-PACKS, and bearing strips.



WHEELS



Paragon's Plastic Wheels are suitable for spacing concrete reinforcement in columns, walls, piles, and precast units. Provides a positive grip to minimize spacer dislodging.